

Itahydraulic

Power Tecnology



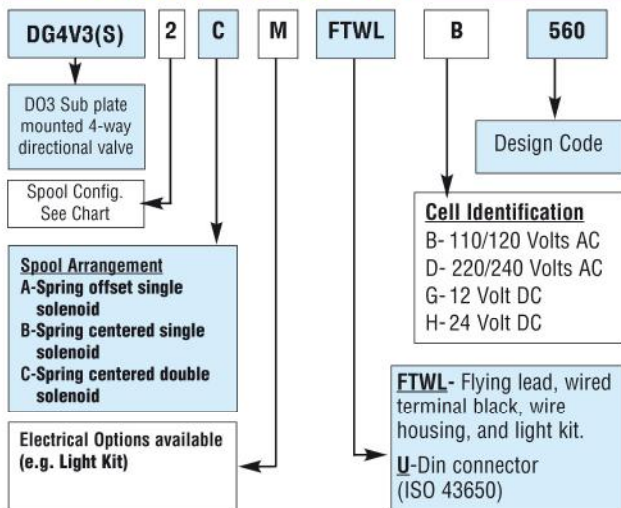
*Directional Valves D03 & D05
Needle Valves
Stak Valves: PO Check,
Reducing,
Flow Control, Check, Relief*



4 Way 3 and 2 position solenoid operated directional valves for D03 and D05 valves with a variety of voltage and spool configurations.

- D03 & D05
- Flow rate 14 GPM for D03
- Flow rate 22 GPM for D05
- 350 bar / 5000 PSI
- Endurance tested to 10 million cycles
- 18 month warranty
- Cost effective replacement to Rexroth, Bosch, Vickers, and Parker with superior performance
- Large inventory allows same day shipment in most cases.

DG4V3 Model Code Table (D03)



VICKERS DESIGN COIL

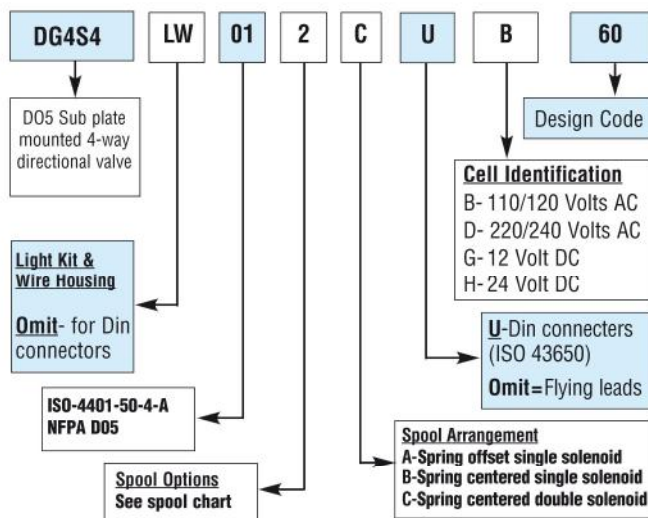
D03 SIZE For coils Mfg after 2008

RATED VOLTAGE	Hz	WORKING VOLTAGE	IN-RUSH CURRENT	HOLDING CURRENT	POWER WATTS
DC12	—	10.8~13.2	—	2.5A	30
DC24	—	21.6~26.4	—	1.25A	30
AC110V	50/60 Hz	99~121	1.7A	0.48A	30
AC220V	50/60 Hz	198~242	0.85A	0.25A	30

D05 SIZE

RATED VOLTAGE	Hz	WORKING VOLTAGE	IN-RUSH CURRENT	HOLDING CURRENT	POWER WATTS
DC12	—	10.8~13.2	—	3A	36
DC24	—	21.6~26.4	—	1.5A	36
AC110V	50/60 Hz	99~121	4.49A	0.87A	40
AC220V	50/60 Hz	198~242	2.9A	0.55A	40

DG4S4 Model Code Table (D05)



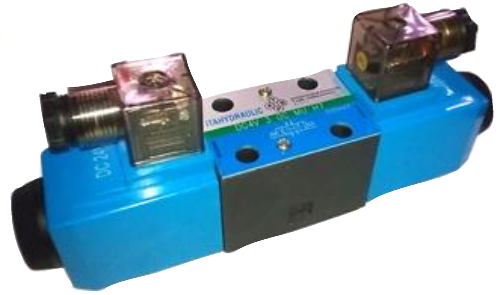
Spool Chart

Spool	Center Position	A	B	C	(Rexroth Spool)
0					(H)
2					(E)
6					(J)
7					(M)
8					(G)

▲ Note: Spool Transition Shown

DG4V3(S) – Hydraulic Directional Valve D03

Subplate / Manifold Mounted
Solenoid Operated
P, A, B Pressure Rated 5000 psi (350 bar)
T Pressure Rate at 1450 psi (100 bar)
Flows to 14 GPM (54 l/m)
Wiring box is 1/2" NPT thread
DIN female connection plugs included



120 VAC Coils 60 HZ – D03 (B) Coil

Spool	Valves	Description
2C	DG4V3S2CMFTWLB560	Wiring box, spring centered, two solenoids, light kit, 120 VAC 50/60 HZ
2C	DG4V3S2CMUB560	Din connectors, spring centered, two solenoids, 120 VAC, 50/60 HZ
6C	DG4V3S6CMFTWLB560	Wiring box, spring centered, two solenoids, light kit, 120 VAC, 50/60 HZ
6C	DG4V3S6CMUB560	Din connectors, spring centered, two solenoids, 120 VAC, 50/60 HZ
8C	DG4V3S8CMFTWLB560	Wiring box, spring centered, two solenoids, light kit, 120 VAC, 50/60 HZ
8C	DG4V3S8CMUB560	Din connectors, spring centered, two solenoids 120 VAC, 50/60 HZ
2A	DG4V3S2AMFTWLB560	Spring Offset, "A" port, Wiring Box, single Solenoid light kit, 120 VAC 50/60 HZ
2A	DG4V3S2AMUB560	Spring Offset, "A" port, Din Connector, single, solenoid, 120 VAC 50/60 HZ
0C	DG4V3S0CMFTWLB560	Wiring box, spring centered, two solenoids, light kit, 120 VAC, 50/60 HZ
7C	DG4V3S7CMFTWLB560	Wiring box, spring centered, two solenoids, light kit, 120 VAC, 50/60 HZ

*Note: See page 7 for spool function chart.
D03 valves have (4) # 10-24"x (45mm) 1 3/4" bolts included.*



DG4V3(S) – Hydraulic Directional Valve D03

12 VDC Coils – D03 (G) Coil

Spool	Valves	Description
2C	DG4V3S2CMFTWLG560	Wiring box, spring centered, two solenoids, 12 VDC
2C	DG4V3S2CMUG560	Din connectors, spring centered, two solenoids 12 VDC
6C	DG4V3S6CMFTWLG560	Wiring box, spring centered, two solenoids, 12 VDC
6C	DG4V3S6CMUG560	Din connectors, spring centered, two solenoids 12 VDC
2A	DG4V3S2AMFTWLG560	Spring Offset, "A" port, Wiring Box, single solenoid, 12 VDC
2A	DG4V3S2AMU560	Spring Offset, "A" port, Din Connector, single solenoid, 12 VDC

24 VDC Coils – D03 (H) Coil

Spool	Valves	Description
2C	DG4V3S2CMFTWLH560	Wiring box, spring centered, two solenoids, light kit, 24 VDC
2C	DG4V3S2CMUH560	Din connectors, spring centered, two solenoids 24 VDC
6C	DG4V3S6CMFTWLH560	Wiring box, spring centered, two solenoids, light Kit, 24 VDC
6C	DG4V3S6CMUH560	Din connectors, spring centered, two solenoids 24 VDC
2A	DG4V3S2AMFTWLH560	Spring Offset, "A" port, Wiring Box, single solenoid, light kit, 24 VDC
2A	DG4V3S2AMUH560	Spring Offset, "A" port, Din Connector, single Solenoid, 24 VDC
7C	DG4V3S7CMFTWLH560	Din connectors, spring centered, two solenoids, 24 VDC

*Note: See page 7 for spool function chart.
D03 valves have (4) # 10-24"x (45mm) 1 3/4" bolts included.*

DG4S4 – Hydraulic Directional D05

Subplate / Manifold Mounted
Solenoid Operated
P, A, B Pressure Rated 4500 psi (310 bar)
T Pressure Rate at 1000 psi (69 bar)
Flows to 21.5 GPM (80 l/m)
Wiring box is 1/2" NPT thread
DIN female connection plugs included



120 VAC Coils 60 HZ – D05 (B) Coil

Spool	Valves	Description
2A	DG4S4LW012AB60	Wiring box, spring offset to "A" Single solenoid, Light kit, 120 VAC, 50/60 HZ
2A	DG4S4012AUB60	Din connectors, spring offset to "A" Single solenoid, 120 VAC, 50/60 HZ
2C	DG4S4LW012CB60	Wiring box, spring centered, two solenoids, Light kit, 120 VAC, 50/60 HZ
2C	DG4S4012CUB60	Din connectors, spring centered, two solenoids, 120 VAC, 50/60 HZ
6C	DG4S4LW016CB60	Wiring box, spring centered, two solenoids, Light kit, 120 VAC, 50/60 HZ
6C	DG4S4016CUB60	Din connectors, spring centered, two solenoids, 120 VAC, 50/60 HZ
8C	DG4S4LW018CB60	Wiring box, spring centered, two solenoids, Light kit, 120 VAC, 50/60 HZ
8C	DG4S4018CUB60	Din connectors, spring centered, two solenoids, 120 VAC, 50/60 HZ
7C	DG4S4LW017CB60	Wiring box, spring centered, two solenoids, Light kit, 120 VAC, 50/60 HZ

*Note: See page 7 for spool function chart.
D05 valves have (4) # 10-24"x (45mm) 1 3/4" bolts included.
Kit Part Number WFBK702504*



DG4S4 – Hydraulic Directional D05

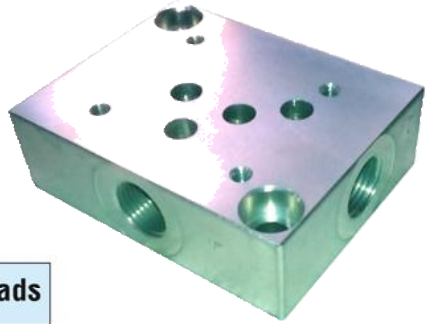
12 VDC Coils – D05 (G) Coil

Spool	Valves	Description
2C	DG4S4LW012CG60	Wiring box, spring centered, two solenoids, Light kit, 12 VDC
2A	DG4S4LW012AG60	Wiring box, spring offset to "A" Single solenoid, Light kit, 12 VDC
2C	DG4S4012CUG60	Din connectors, spring centered, two solenoids, 12 VDC
2A	DG4S4012AUG60	Din connectors, spring offset to "A" Single solenoid, Light kit, 12 VDC
6C	DG4S4LW016CG60	Wiring box, spring centered, two solenoids, Light kit, 12 VDC
6C	DG4S4016CUG60	Din connectors, spring centered, two solenoids, 12 VDC
7C	DG4S4017CUG60	Din connectors, spring centered, two solenoids, 12 VDC

24 VDC Coils – D05 (H) Coil

Spool	Valves	Description
2C	DG4S4LW012CH60	Wiring box, spring centered, two solenoids, Light kit, 24 VDC
2A	DG4S4LW012AH60	Wiring box, spring offset to "A" Single solenoid, Light kit, 24 VDC
2C	DG4S4012CUH60	Din connectors, spring centered, two solenoids, 24 VDC
2A	DG4S4012AUH60	Din connectors, spring offset to "A" Single solenoid, Light kit, 24 VDC
6C	DG4S4LW016CH60	Wiring box, spring centered, two solenoids, Light kit, 24 VDC
6C	DG4S4016CUH60	Din connectors, spring centered, two solenoids, 24 VDC
7C	DG4S4017CUH60	Din connectors, spring centered, two solenoids, 24 VDC

*Note: See page 7 for spool function chart.
D05 valves have (4) # 10-24"x (45mm) 1 3/4" bolts included.
Kit Part Number WFBK702504*

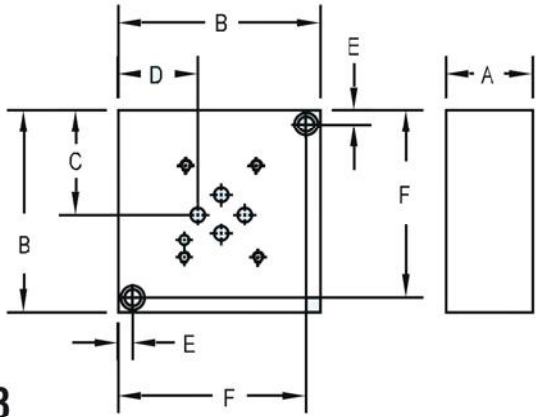


D03 & D05 Subplates, Manifolds, and Accessories

Ordering Information

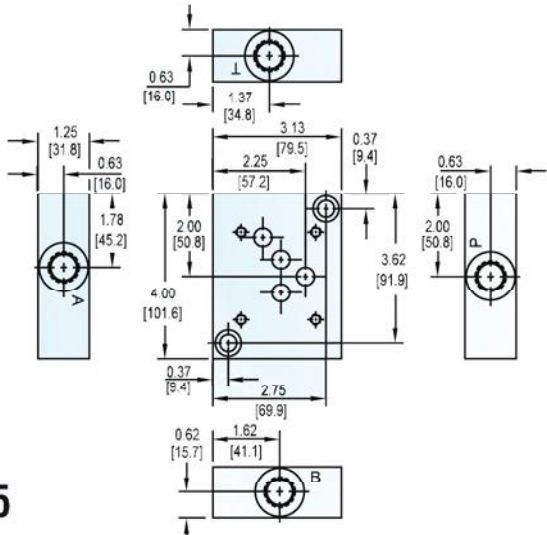
Material	Valve Pattern	Product Type	Port Location	Port Threads
A Aluminum - 6061-T6 3000† psi 20.7 MPa	D03 ISO 4401-03-02 NFPA T3.5.1-D03 D05 ISO 4401-05-04 NFPA T3.5.1-D05	SP Subplate	S Side Ported B Bottom Ported	6S* -6 SAE ISO 11926; SAE 1926 8S -8 SAE ISO 11926; SAE 1926

*Available on D03 only



D03

Dimension	A	B	C	D	E	F	G	H
AD03SPS6*	1.00 (25.4)	2.50 (63.5)	1.31 (33.3)	1.25 (31.8)	0.50 (12.7)	0.25 (6.4)	2.25 (57.2)	0.88 (22.4)
AD03SPS8*	1.50 (38.1)	3.50 (88.9)	1.81 (46.0)	1.76 (45.2)	0.75 (19.1)	0.25 (6.4)	3.25 (82.6)	1.38 (34.9)



D05

SUBPLATES, MANIFOLDS, AND ACCESSORIES

P/N	Model Code	Note
Subplates		
860195	AD03SPS6S	D03, Side ported SAE -6
860291	AD03SPS8S	D03, Side ported SAE -8
860335	AD03SPB8S	D03, Bottom ported SAE -8
860292	AD05SPS8S	D05, Side ported SAE -8
860336	AD05SPB8S	D05, Bottom ported SAE -8

Manifold Parallel Multi-Stations

860295	AD03P022S/C	D03 2-STATION SAE PORTS, w/relief cavity (C-10-2)**
860296	AD03P032S/C	D03 3-STATION SAE PORTS, w/relief cavity (C-10-2)**
860297	AD05P023S/C	D05 2-STATION SAE PORTS, w/relief cavity (C-10-2)**
860298	AD05P033S/C	D05 3-STATION SAE PORTS, w/relief cavity (C-10-2)**

Blank Cover Plate

860301	AD03CPP	D03 BLANKING PLATE
860302	AD05CPP	D05 BLANKING PLATE

Manifold Accessories

V889566	RV510S020/	RELIEF VALVE 100-2,000 PSI RANGE (fits C-10-2 cavity)
V02-352137	RV510S035/30	RELIEF VALVE SET @3,000 psi (fits C-10-2 cavity) 250-3,500 PSI RANGE
V565814	BLANK PLUG	BLANK CAVITY PLUG C-10-2 C-10-2 CAVITY

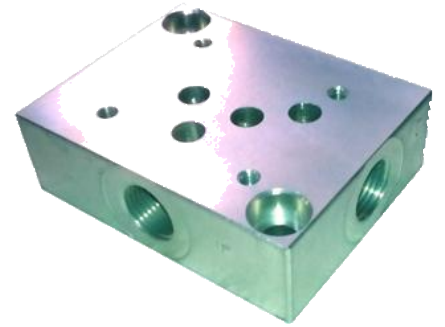
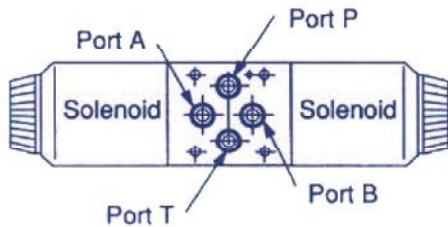
Note: All manifolds are parallel circuit design
** Relief valve must be ordered separately

D03 & D05 Subplates, Manifolds, and Accessories

Hydraulic Directional Valves

Solenoids Standards:

Functional symbols related to solenoid identity “A” and / or “B” according to NFPA standards, i.e. energizing solenoid “A” gives flow P to B, solenoid “B” gives flow P to A.



D03 Bolt Kits:

Valve	Length	Kit #
* Valve Only	1.75" (44.45 mm)	BK702500
Valve + 1 module	3.5" (88.9 mm)	BK702501
Valve + 2 modules	5" (127 mm)	BK702502
Valve + 3 modules	6.5" (165.10 mm)	BK702503

D05 Bolt Kits:

Valve	Length	Kit #
* Valve Only	1.5" (38.1 mm)	BK702504
Valve + 50 mm	3.75" (95.25 mm)	BK702505
Valve + 55 mm	3.75" (95.25 mm)	BK702506
Valve + 60 mm	3.75" (95.25 mm)	BK702506
Valve + 50 mm	6" (152.4 mm)	BK702508
Valve + 50 mm + 55 mm	6" (152.4 mm)	BK702509
Valve + 55 mm + 60 mm	6" (152.4 mm)	BK702510
Valve + 55 mm + 55 mm	6" (152.4 mm)	BK702510

*Included with WFD Valve WFBK Bolt Kits have (4) bolts in each kit

D03 Stack Valves

PO Check Valves: D03

14.5 psi check cracking pressure
Sandwich Thickness 40 mm



Valves:

Description:

DGMPC-3ABK BAK-41

Dual Cross over checks

DGMPC-3ABK-41

Check in "A", pilot from "B"

DGMPC-3BAK-41

Check in "B", pilot from "A"

Reducing Valves: D03

Pressure reduced in "P", piloted from "P"
Hand knob Adjustment
Sandwich Thickness 40 mm

Valves:

Description:

DGMX2 3 PP B-41

Adjustment range 50 to 1000 psi, Reduced in P

DGMX2 3 PP C-41

Adjustment range 145 to 2000 psi, Reduced in P

DGMX2 3 PP F-41

Adjustment range 290 to 3625 psi, Reduced in P

DGMX2 3 PA B-41

Adjustment range 50 to 1000 psi, Reduced in A

DGMX2 3 PA C-41

Adjustment range 145 to 2000 psi, Reduced in A

DGMX2 3 PA F-41

Adjustment range 290 to 3625 psi, Reduced in A

DGMX2 3 PB B-41

Adjustment range 50 to 1000 psi, Reduced in B

DGMX2 3 PB C-41

Adjustment range 290 to 3625 psi, Reduced in B

DGMX2 3 PB F-41

Adjustment range 290 to 3625 psi, Reduced in B

*Note: See page 7 for spool function chart.
D03 valves have (4) # 10-24"x (45mm) 1 3/4" bolts included.*

D03 Stack Valves

Flow Control Valves: D03

Hand Knob Adjustment
Sandwich Thickness 40 mm



Valves:

DGMFN 3 Y A2W-41
DGFN 3 X A2W-41
DGMFN 3 Y B2W-41
DGMFN 3 X B2W-41
DGMFN 3 Y A2W B2W-41
DMFN 3 X A2W B2W-41

Description:

Flow Control Meter-out A port
Flow Control Meter-in A port
Flow Control Meter-out B port
Flow Control Meter-in B port
Flow Control Meter-out A & B ports
Flow Control Meter-in A & B ports

Check Valves: D03

Sandwich Thickness 40 mm

Valves:

DGMDC 3 T XL-41
DGMDC 3 A XL-41
DGMDC 3 B XL-41
DGMDC 3 P YL-41
DGMDC 3 T XR-41
DGMDC 3 A XR-41
DGMDC 3 B XR-41
DGMDC 3 P YR-41

Description:

Free flow away from actuator, Check in T port, 5 psi
Free flow away from actuator, Check in A port, 5 psi
Free flow away from actuator, Check in B port, 5 psi
Free flow towards actuator, Check in P port, 5 psi
Free flow away from actuator, Check in T port, 50 psi
Free flow away from actuator, Check in A port, 50 psi
Free flow away from actuator, Check in B port, 50 psi
Free flow towards actuator, Check in P port, 50 psi

*Note: See page 7 for spool function chart.
D03 valves have (4) # 10-24"x (45mm) 1 3/4" bolts included.*

D03 Stack Valves

Relief Valves: D03

Hand Knob Adjustment
Sandwich Thickness 40 mm



Valves:

Description:

DGMC3 PT B-41	Pressure in "P" relieved to "T", 44 psi thru 1450 psi (3-100 Bar)
DGMC3 AT B-41	Pressure in "A" relieved to "T", 44 psi thru 1450 psi (3-100 Bar)
DGMC3 BT B-41	Pressure in "B" relived to "T", 44 psi thru 1450 psi (3-100 Bar)
DGMC2 3 AT B BT B-41	Dual Relief Pressure in "A" relieved to "T" Pressure in "B" port relieved to "T", 47 psi thru 1450 psi (3-100 Bar)
DGMC3 PT C-41	Pressure in "P" relieved to "T", 500 psi thru 2000 psi
DGMC3 AT C-41	Pressure in "A" relieved to "T", 500 psi thru 2000 psi
DGMC3 BT C-41	Pressure in "B" relived to "T", 500 psi thru 2000 psi
DGMC2 3 AT C BT C-41	Dual Relief Pressure in "A" relieved to "T" Pressure in "B" port relieved to "T", 500 psi thru 2000 psi
DGMC2 3 AT F BT F-41	Dual Relief Pressure in "A" relieved to "T" Pressure in "B" port relieved to "T", 800 psi thru 3600 psi
DGMC3 PT F-41	Pressure in "P" relieved to "T", 800 psi thru 3600 psi
DGMC3 AT F-41	Pressure in "A" relieved to "T", 800 psi thru 3600 psi
DGMC3 BT F-41	Pressure in "B" relived to "T", 800 psi thru 3600 psi

Note: See page 7 for spool function chart.

D03 valves have (4) # 10-24"x (45mm) 1 3/4" bolts included.

D05 Stack Valves

PO Check Valves: D05

14.5 psi check cracking pressure
Sandwich Thickness 50 mm



Valves:

DGMPC-5ABK BAK-41
DGMPC-5ABK-41
DGMPC-5BAK-41

Description:

Dual Cross over checks
Check in "A", pilot from "B"
Check in "B", pilot from "A"

Reducing Valves: D05

Pressure reduced in "P", piloted from "P" and reduced in "A" and "B"
Hand knob Adjustment
Sandwich Thickness 60 mm

Valves:

DGMX2 5 PP B-41
DGMX2 5 PP C-41
DGMX2 5 PP F-41
DGMX2 5 PA B-41
DGMX2 5 PA C-41
DGMX2 5 PA F-41
DGMX2 5 PB B-41
DGMX2 5 PB C-41
DGMX2 5 PB F-41

Description:

Adjustment range 50 to 1000 psi, Reduced in P
Adjustment range 145 to 2000 psi, Reduced in P
Adjustment range 290 to 3625 psi, Reduced in P
Adjustment range 50 to 1000 psi, Reduced in A
Adjustment range 145 to 2000 psi, Reduced in A
Adjustment range 290 to 3625 psi, Reduced in A
Adjustment range 50 to 1000 psi, Reduced in B
Adjustment range 145 to 2000 psi, Reduced in B
Adjustment range 290 to 3625 psi, Reduced in B

*Note: See page 7 for spool function chart.
D05 valves have (4) # 10-24"x (45mm) 1 3/4" bolts included.*

D05 Stack Valves

Flow Control Valves: D05

Hand Knob Adjustment
Sandwich Thickness 55 mm



Valves:

DGMFN 5 Y A2W-41
DGFN 5 X A2W-41
DGMFN 5 Y B2W-41
DGMFN 5 X B2W-41
DGMFN 5 Y A2W B2W-41
DGMFN 5 X A2W B2W-41

Description:

Flow Control Meter-out A port
Flow Control Meter-in A Port
Flow Control Meter-out B port
Flow Control Meter-in B port
Flow Control Meter-out A & B ports
Flow Control Meter-in A & B ports

Check Valves: D05

Sandwich Thickness 55 mm

Valves:

DGMDC 5 X TL-41
DGMDC 5 X AL-41
DGMDC 5 X BL-41
DGMDC 5 Y PL-41
DGMDC 5 X TR-41
DGMDC 5 X AR-41
DGMDC 5 X BR-41
DGMDC 5 Y PR-41

Description:

Free flow away from actuator, Check in T port, 5 psi
Free flow away from actuator, Check in A port, 5 psi
Free flow away from actuator, Check in B port, 5 psi
Free flow towards actuator, Check in P port, 5 psi
Free flow away from actuator, Check in T port, 60 psi
Free flow away from actuator, Check in A port, 60 psi
Free flow away from actuator, Check in B port, 60 psi
Free flow towards actuator, Check in P port, 60 psi

*Note: See page 7 for spool function chart.
D05 valves have (4) # 10-24"x (45mm) 1 3/4" bolts included.*

D05 Stack Valves

Relief Valves: D05

Hand Knob Adjustment
Sandwich Thickness 55 mm



Valves:

Description:

DGMC5 PT B-41	Pressure in "P" relieved to "T", 48 psi thru 1450 psi
DGMC5 AT B-41	Pressure in "A" relieved to "T", 48 psi thru 1450 psi
DGMC5 BT B-41	Pressure in "B" relived to "T", 48 psi thru 1450 psi
DGMC2 5 AT B BT B-41	Dual Relief Pressure in "A" relieved to "T" Pressure in "B" port relieved to "T", 48 psi thru 1450 psi
DGMC5 PT C-41	Pressure in "P" relieved to "T", 100 psi thru 2000 psi
DGMC5 AT C-41	Pressure in "A" relieved to "T", 100 psi thru 2000 psi
DGMC5 BT C-41	Pressure in "B" relived to "T", 100 psi thru 2000 psi
DGMC2 5 AT C BT C-41	Dual Relief Pressure in "A" relieved to "T" Pressure in "B" port relieved to "T", 100 psi thru 2000 psi
DGMC5 PT F-41	Pressure in "P" relieved to "T", 125 psi thru 3600 psi
DGMC5 AT F-41	Pressure in "A" relieved to "T", 125 psi thru 3600 psi
DGMC5 BT F-41	Pressure in "B" relived to "T", 125 psi thru 3600 psi
... DGMC2 5 AT F BT F-41	Dual Relief Pressure in "A" relieved to "T" Pressure in "B" port relieved to "T", 125 psi thru 3600 psi

*Note: See page 7 for spool function chart.
D05 valves have (4) # 10-24"x (45mm) 1 3/4" bolts included.*



In-Line Valves

Rated to 5000 PSI (315 Bar)

In-Line Needle Valves

Controls Flow in both Directions 

WFD Part Number	Description	Parker Part Number (For reference only)	Max. Flow
860144	1/4 inch NPT Female-Female	N400SFV	5 GPM
860145	3/8 inch NPT Female-Female	N600SFV	8 GPM
860146	1/2 inch NPT Female-Female	N800SFV	15 GPM
860147	3/4 inch NPT Female-Female	N1200SFV	25 GPM
860148	1 inch NPT Female-Female	N1600SFV	40 GPM
860149	1 1/4 inch NPT Female-Female	N2000SFV	70 GPM
860150	# 4 SAE Female -Female	N420SFV	5 GPM
860151	# 6 SAE Female -Female	N620SFV	8 GPM
860152	# 8 SAE Female -Female	N820SFV	15 GPM
860153	# 10 SAE Female -Female	N1020SFV	15 GPM
860154	# 12 SAE Female -Female	N1220SFV	25 GPM
860155	# 16 SAE Female -Female	N1620SFV	40 GPM
860156	# 20 SAE Female -Female	N2020SFV	70 GPM
860157	# 24 SAE Female -Female	N/A	

In-Line Flow Control Valves

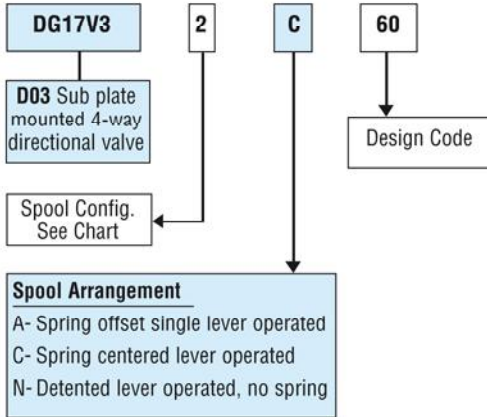
Controls Flow in one Direction 

WFD Part Number	Description	Parker Part Number (For reference only)	Max. Flow
860158	1/4 inch NPT Female-Female	F400SFV	5 GPM
860159	3/8 inch NPT Female-Female	F600SFV	8 GPM
860160	1/2 inch NPT Female-Female	F800SFV	15 GPM
860161	3/4 inch NPT Female-Female	F1200SFV	25 GPM
860162	1 inch NPT Female-Female	F1600SFV	40 GPM
860163	1 1/4 inch NPT Female-Female	F2000SFV	70 GPM
860164	# 4 SAE Female -Female	F420SFV	5 GPM
860165	# 6 SAE Female -Female	F620SFV	8 GPM
860166	# 8 SAE Female -Female	F820SFV	15 GPM
860167	# 10 SAE Female -Female	F1020SFV	15 GPM
860168	# 12 SAE Female -Female	F1220SFV	25 GPM
860169	# 16 SAE Female -Female	F1620SFV	40 GPM
860170	# 20 SAE Female -Female	F2020SFV	70 GPM
860171	# 24 SAE Female -Female	F2420SFV	100 GPM

4 Way 3 and 2 position lever operated directional valves for D05 and D03 valves with a variety of spool configurations.

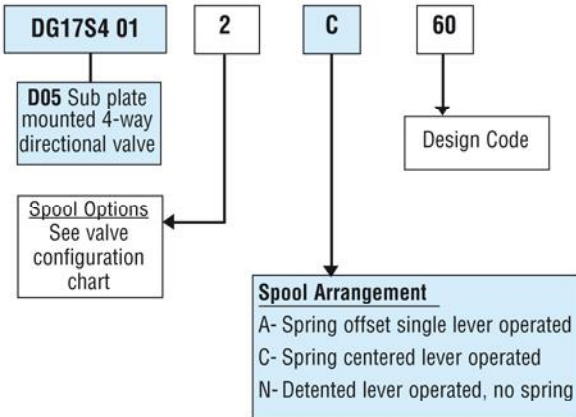


DG17V3 Model Code Table (D03)



- D03 & D05
- Flow rate 14 GPM for D03
- Flow rate 26 GPM for D05
- 4500 PSI
- Endurance tested to 10 million cycles
- 18 month warranty
- Cost effective replacement to Rexroth, Bosch, Vickers, and Parker with superior performance
- Large inventory allows same day shipment in most cases.

DG17S4 Model Code Table (D05)



DG17* Valve Configuration

